

MOTOROLA SEMICONDUCTOR APPLICATION NOTE

AN1241

Interfacing the MC68HC705J1A to 9356/9366 EEPROMs

By Mark Glenewinkel
CSIC Applications

INTRODUCTION

This application note describes the hardware and software interface used to communicate between the Motorola MC68HC705J1A MCU and 9356/9366 EEPROM chips. The 93XX series of EEPROMs are an industry standard used widely to store nonvolatile bits of information. The software listing in this application note will work with 9356 and 9366 EEPROMs. The EEPROM bits are arranged in 128 or 256 16-bit registers, respectively. With some modification, the software will work with other 93XX series EEPROMs.

Some of the applications in which EEPROMs can be utilized are listed below.

- ID number for remote addressing or security
- Storage of telecommunication information like phone number recall and speed dialing
- Power down information storage for consumer electronics like TVs and VCRs
- Reprogrammable calibration data for test/measurement equipment

The 93XX EEPROMs communicate with the outside world using a serial link. Since the MC68HC705J1A does not have the hardware on chip to communicate to the EEPROM, a software driver is used. This method bit programs an I/O port to properly transfer data to and from the EEPROM. A National NM93C56N was used for testing the software routines in this application note.

HARDWARE INTERFACE

The 9356 is a very simple 8-pin device. Appendix A shows a typical connection between the MC68HC705J1A and the 9356. The serial interface connection uses only four pins of the 9356. They are as follows:

- CS — Chip Select
- SK — Serial Clock
- DO — Serial Data Output
- DI — Serial Data Input

These signals must be clocked in a certain way in order to transfer the correct serial data to and from the MC68HC705J1A.



SOFTWARE INTERFACE

Communication between the MC68HC705J1A and the 9356 is done with a synchronous serial protocol. As mentioned earlier, the MC68HC705J1A bit programs its I/O pins to communicate with the 9356. A timing diagram of the serial link can be found in the 9356 data sheet if needed.

The 9356 will accept seven different commands. They are as follows:

- 1) READ — Read a 16-bit data word from an address in memory
- 2) WRITE — Write a 16-bit data word from an address in memory
- 3) WRALL — Write all addresses with the same 16-bit data word
- 4) ERASE — Erase a 16-bit data word from an address in memory
- 5) ERAL — Erase all addresses within the memory map
- 6) WEN — Erase/write enable the EEPROM memory
- 7) WDS — Erase/write disable the EEPROM memory

The 9356 transmission format is a frame of data bits containing an opcode, an address, and if needed, a word of data. The opcode is three bits long, the address is eight bits long, and the data word is 16 bits long. Table 1 illustrates the bit information each instruction needs.

Table 1.

Instruction	Opcode	Address	Data
READ	110	A7-A0	
WEN	100	11XXXXXX	
ERASE	111	A7-A0	
ERAL	100	10XXXXXX	
WRITE	101	A7-A0	D15-D0
WRALL	100	01XXXXXX	D15-D0
WDS	100	00XXXXXX	

IMPLEMENTATION AND TEST

Software was written to provide subroutines to perform each of the seven commands. A total of four bytes of RAM are needed to support the subroutines. These bytes are described below.

- 1) OP_CODE — Contains the opcode needed for the command
- 2) ADDR — Contains the address for the command
- 3) DATA_H — The high byte for the data word
- 4) DATA_L — The low byte for the data word

As needed, each EEPROM command subroutine will call other supporting subroutines to execute the transmission of data between the MC68HC705J1A and the 9356. Appendix B contains flowcharts for all of these subroutines.

Each EEPROM command subroutine has input data and output data. This data is inherent with some commands while others need the information passed to them before the subroutine is called. Table 2 lists the input data needed and output data generated for each of the seven commands.

Table 2:

Command	Subroutine Input	Subroutine Output
READ	ADDR	DATA_H/L
EWEN	—	—
ERASE	ADDR	—
ERAL	—	—
WRITE	ADDR & DATA_H/L	—
WRALL	DATA_H/L	—
EWDS	—	—

Code was written and tested with a level of quality equal to the Carnegie-Mellon Software Engineering Institute (SEI) Level 2. A test routine consisting of writing and reading the EEPROM is listed in Appendix C. Refer to Appendix A for the schematic used in the design and test of the software. An LED is used to verify that the test code works properly. The test routine executes the following:

- 1) Initializes the port on the HC705J1A for serial transmission. LED is turned off.
- 2) Writes EEPROM address \$00 with \$AA55.
- 3) Writes EEPROM address \$20 with \$1234.
- 4) Reads EEPROM address \$00 and stores it to RAM location TEST1 and TEST2.
- 5) Reads EEPROM address \$20 and stores it to RAM location TEST3 and TEST4.
- 6) Checks if TEST1 = \$AA, TEST2 = \$55, TEST3 = \$12, and TEST4 = \$34.
- 7) If check is good, then light the LED. If check is bad, do not light the LED.
- 8) Continue to run in an infinite loop until reset.

For increased reliability, the software watchdog on the MC68HC705J1A is used. Also, a low voltage inhibit circuit, the MC34064, is used to decrease susceptibility to brown out or short power failure conditions.

SUMMARY

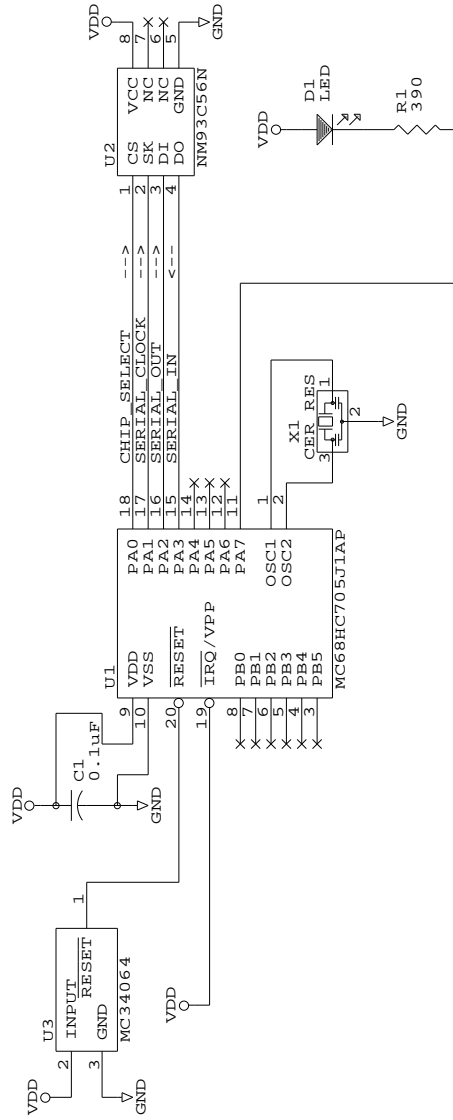
This application note has described the interface needed to successfully communicate between the MC68HC705J1A and the 9356. For more information on the MC68HC705J1A, please consult the Technical Data Manual, MC68HC705J1A/D. Contact National Semiconductor or SGS Thompson for technical data on the 93XX series of EEPROM memories.

An electronic copy of the code listing in Appendix C and a listing of the test program to fully test all the EEPROM commands can be found on the Motorola MCU BBS. The BBS number is (512) 891-3733. The filename is j1a_9356.arc and is on the CSIC BBS under the APPNOTES directory.

Also, Motorola Application Note AN1221/D further details the software and hardware interfaces needed between the 93XX series and other HC05 MCUs.

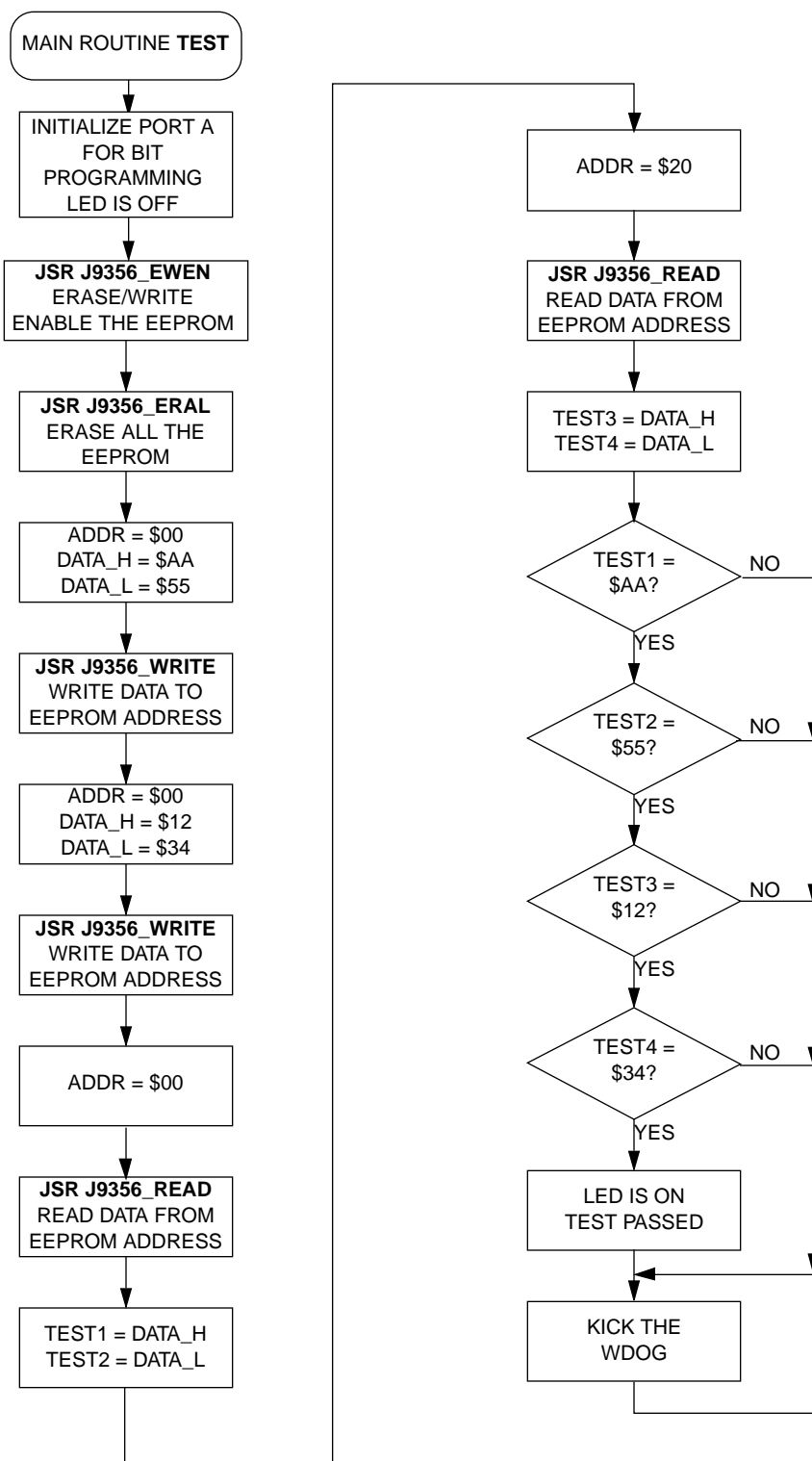
APPENDIX A

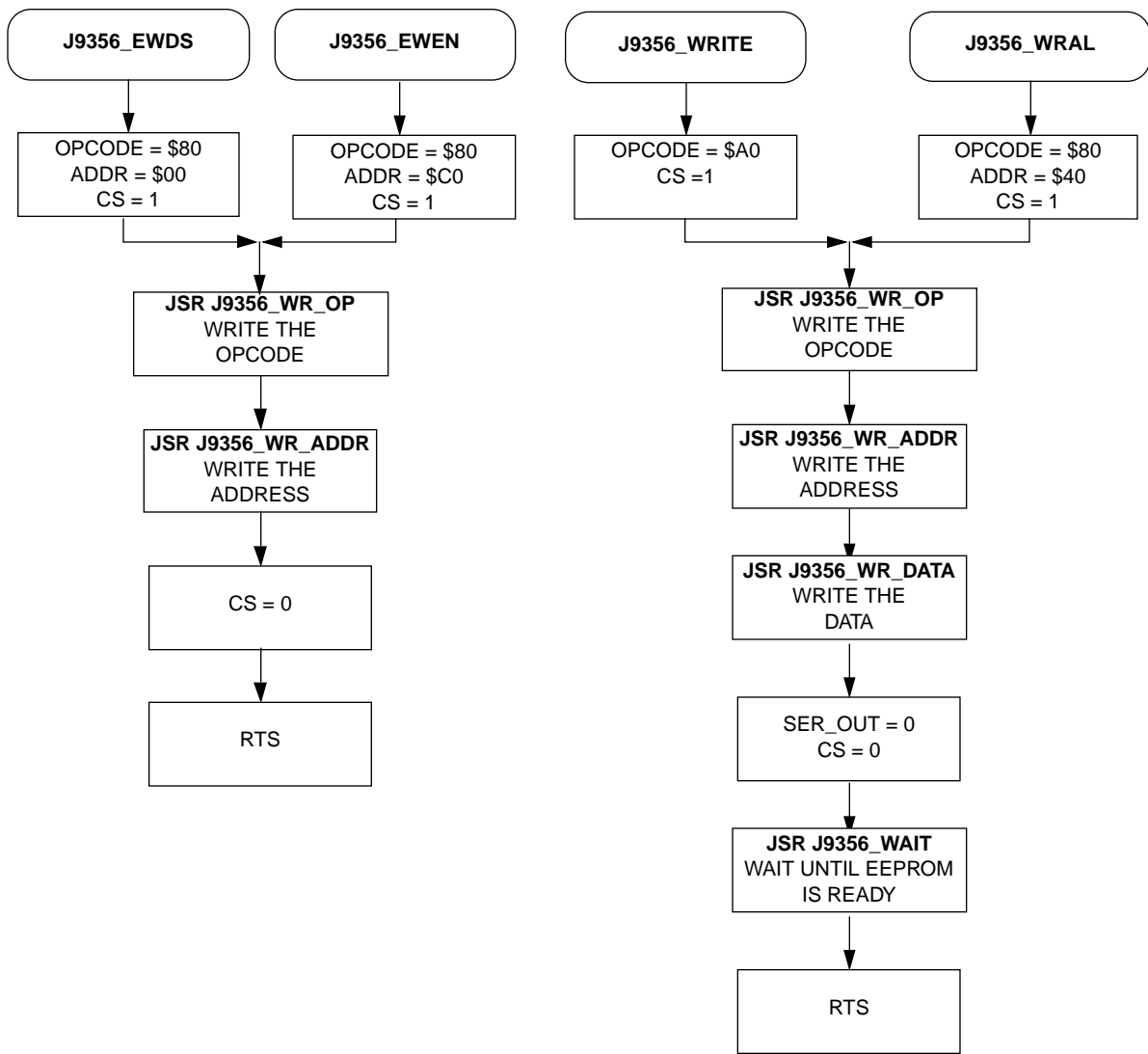
HC705J1A to 93C56 Interface

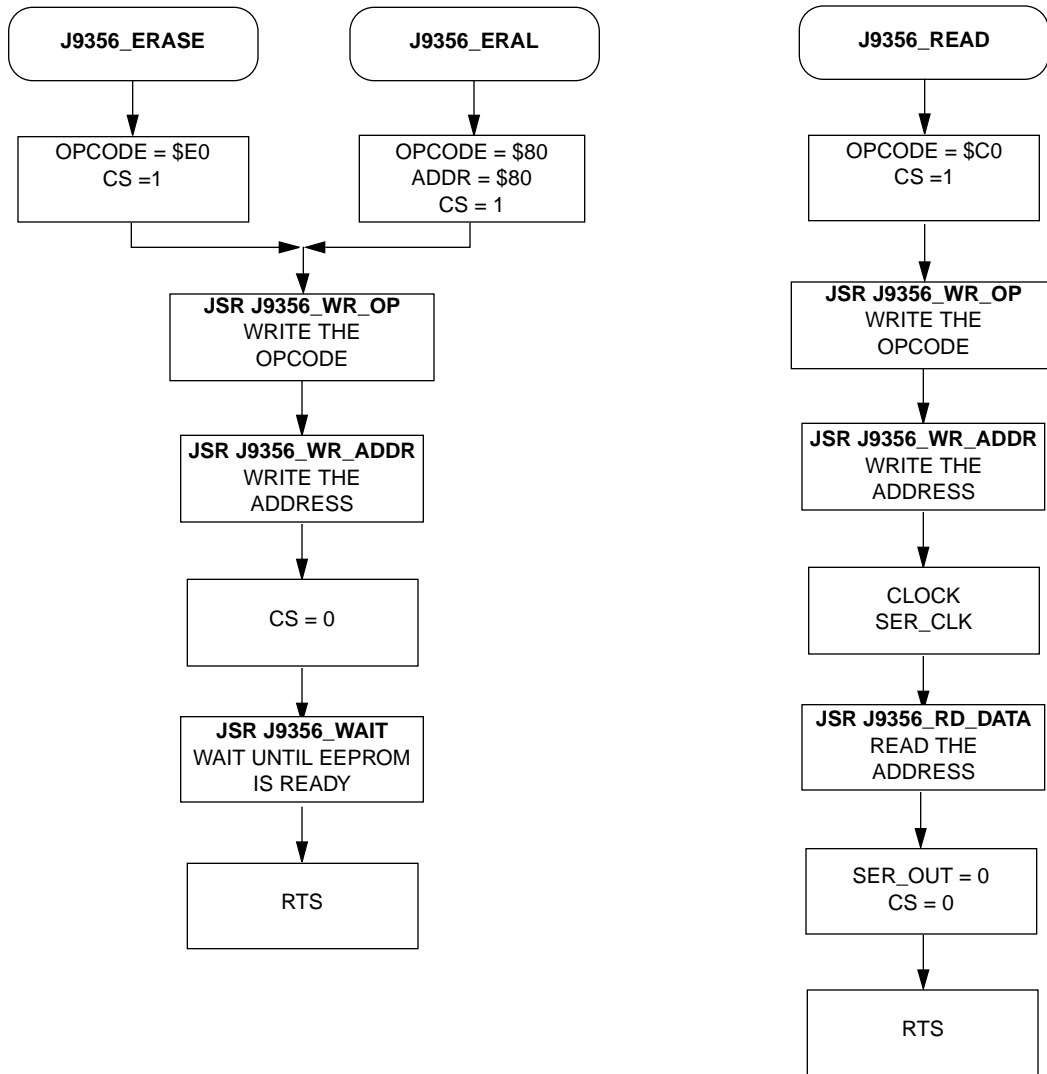


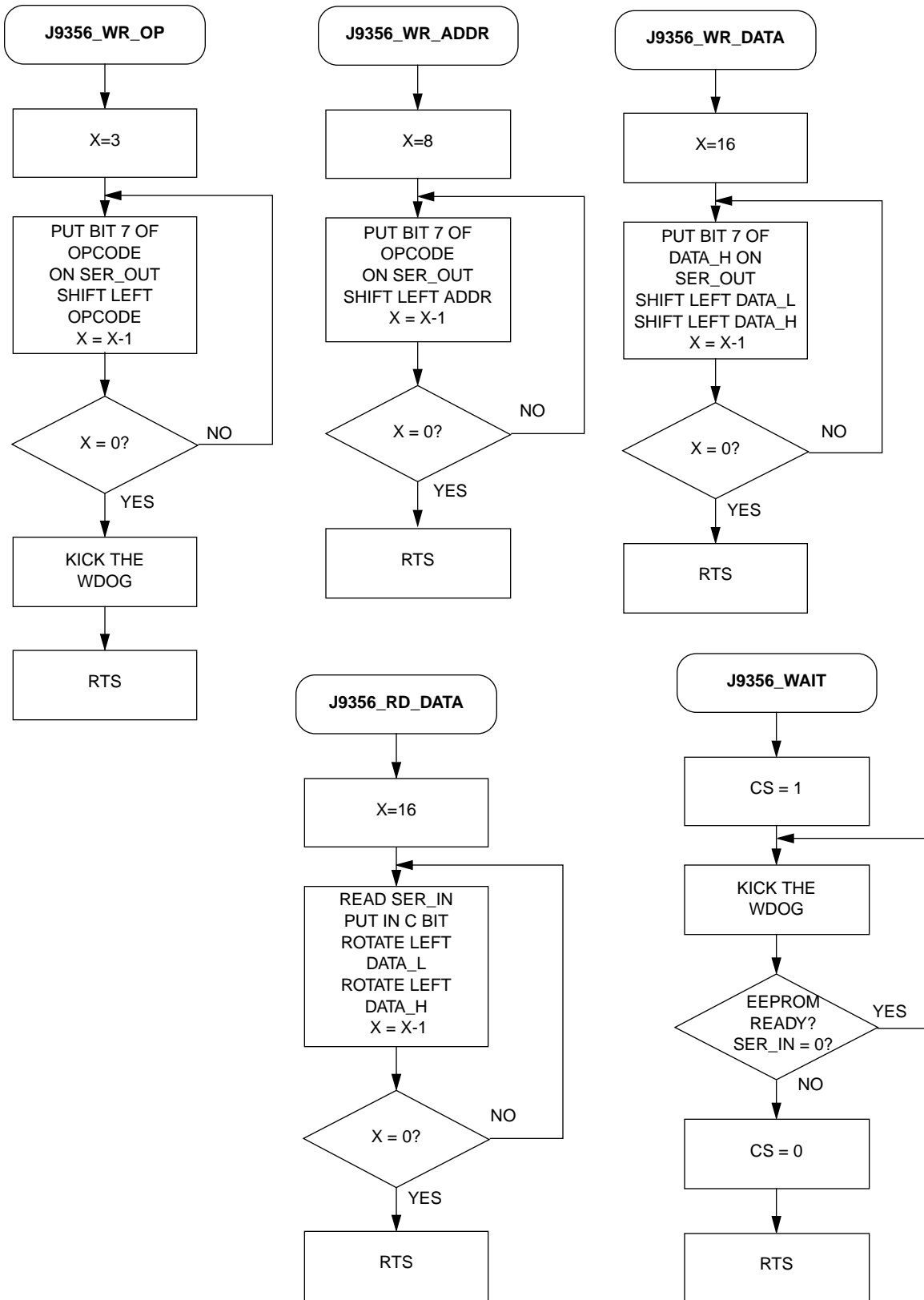
Motorola - CSIC Strategic Applications	
Title	HC705J1A -> 93C56 EEPROM
Size	Document Number 705J1A.SCH
REV	1
Date:	February 9, 1995
Sheet	1 of 1

APPENDIX B









APPENDIX C

```
*****
*****
*
*           Main Routine J1A_9356 - 705J1A to 9356 EEPROM
*
*****
*
* File Name: J1A_9356.RTN                      Copyright (c) Motorola 1995
*
* Full Functional Description Of Routine Design:
*   Program flow:
*     Reset:  Initializes ports for bit banging.
*             Calls EWEN sub to enable write to EEPROM.
*             Calls ERAL to erase all EEPROM
*             Writes $AA55 to EEPROM $00
*             Writes $1234 to EEPROM $20
*             Reads EEPROM $00 and $20
*             Check for correct data, light LED if correct
*             Execute endless loop
*
*****
*
*           Part Specific Framework Includes Section
*
*****

#nolist
#include 'H705J1A.FRK'           ;Include the equates for the HC705J1A
                                ;so that all labels can be used.
#list

*****
*
*           MOR Bytes Definitions for Main Routine
*
*****

                org     MOR
                db      $21           ;COP enabled, osc resistor enabled
                                        ;If used on a mask rom part,
                                        ; be sure to specify this option.
```

```

*****
*
*
*           Equates and RAM Storage
*
*****
*

```

```

CS           equ      0           ;bit # for chip select
SER_CLK      equ      1           ;bit # for serial clock
SER_OUT      equ      2           ;bit # for serial data out
SER_IN       equ      3           ;bit # for serial data in

```

```

***      RAM storage variables      ***

```

```

                org      RAM           ;start of static RAM at $C0
OPCODE        rmb      1           ;command byte
ADDR          rmb      1           ;EEPROM address byte
DATA_H        rmb      1           ;MSByte of data
DATA_L        rmb      1           ;LSByte of data
TEST1         rmb      1           ;test byte #1
TEST2         rmb      1           ;test byte #2
TEST3         rmb      1           ;test byte #3
TEST4         rmb      1           ;test byte #4

```

```

*****
*
*
*           Program Initialization
*
* This section sets up the port for bit banging.
*
* To prevent floating inputs and associated high current draw,
* the HC705J1A has pulldown devices on all I/O pins. This
* initialization should enable these pulldowns on unused I/O
* pins. RESET_ enables the pulldowns, so no code is required.
*
*****
*

```

```

J9356_START   org      EPROM
                lda      #$80           ;init portA
                sta      PORTA          ;
                sta      COPR          ;kick the wdog
                lda      #$87           ;init i/o of port A
                sta      DDRA

```

```

*****
*
*           J1A_9356 Main Program Loop
*
* It then runs through the test routine to check for
* proper serial transmission. The LED is lit if the test passes.
*
*****

***      Enable erase/write mode of EEPROM
          jsr      J9356_EWEN      ;call ewen routine

***      Erase all EEPROM memory map
          jsr      J9356_ERAL      ;call eral routine

***      Write $AA55 to $00
          lda      #$00            ;load address
          sta      ADDR
          lda      #$AA            ;load data byte high
          sta      DATA_H
          lda      #$55            ;load data byte low
          sta      DATA_L
          jsr      J9356_WRITE     ;call write routine

***      Write $1234 to $20
          lda      #$20            ;load address
          sta      ADDR
          lda      #$12            ;load data byte high
          sta      DATA_H
          lda      #$34            ;load data byte low
          sta      DATA_L
          jsr      J9356_WRITE     ;call write routine

***      Read $00
          lda      #$00            ;load address
          sta      ADDR
          jsr      J9356_READ      ;call read routine
          lda      DATA_H
          sta      TEST1          ;store away data_h to test1
          lda      DATA_L
          sta      TEST2          ;store away data_l to test2

***      Read $20
          lda      #$20            ;load address
          sta      ADDR
          jsr      J9356_READ      ;call read routine
          lda      DATA_H
          sta      TEST3          ;store away data_h to test3
          lda      DATA_L
          sta      TEST4          ;store away data_l to test4

```

```

***      Check results of write and read, light LED if good
J9356_CKSUM   lda     TEST1           ;check test1
              cmpa   #$AA
              bne   J9356_BRANCH   ;branch if no good, no LED

              lda   TEST2           ;check test2
              cmpa   #$55
              bne   J9356_BRANCH   ;branch if no good, no LED

              lda   TEST3           ;check test3
              cmpa   #$12
              bne   J9356_BRANCH   ;branch if no good, no LED

              lda   TEST4           ;check test4
              cmpa   #$34
              bne   J9356_BRANCH   ;branch if no good, no LED

              bclr  7,PORTA         ;EEPROM write and read is good
                                   ; light LED

J9356_BRANCH  clra
              sta   COPR           ;kick the wdog
              bra   J9356_BRANCH

```

```

*****
*
*           EEPROM Command SubRoutines
*
* These 7 subroutines execute each of the 7 commands
* that the EEPROM will respond to
*
*****

```

```

***      EWEN - subroutine to enable write/erase *****
J9356_EWEN  lda    #$80          ;load opcode
            sta    OPCODE
            lda    #$C0          ;load address
            sta    ADDR
            bset   CS,PORTA     ;CS line is high
            jsr   J9356_WR_OP   ;write opcode
            jsr   J9356_WR_ADDR ;write address
            bclr  CS,PORTA     ;CS line is low
            rts    ;return

```

```

***      EWDS - subroutine to disable write/erase *****
J9356_EWDS  lda    #$80          ;load opcode
            sta    OPCODE
            clr    ADDR          ;load addr
            bset   CS,PORTA     ;CS line is high
            jsr   J9356_WR_OP   ;write opcode
            jsr   J9356_WR_ADDR ;write address
            bclr  CS,PORTA     ;CS line is low
            rts    ;return

```

```

***      WRITE - subroutine to write EEPROM *****
J9356_WRITE  lda    #$A0          ;load opcode
            sta    OPCODE
            bset   CS,PORTA     ;CS line is high
            jsr   J9356_WR_OP   ;write opcode
            jsr   J9356_WR_ADDR ;write address
            jsr   J9356_WR_DATA ;write data
            bclr  SER_OUT,PORTA
            bclr  CS,PORTA     ;CS line is low
            jsr   J9356_WAIT    ;wait until EEPROM is ready
            rts    ;return

```

```

***      WRAL - subroutine to write all EEPROM *****
J9356_WRAL   lda      #$80          ;load opcode
             sta      OPCODE
             lda      #$40          ;load addr
             sta      ADDR
             bset     CS,PORTA      ;CS line is high
             jsr     J9356_WR_OP    ;write opcode
             jsr     J9356_WR_ADDR  ;write address
             jsr     J9356_WR_DATA  ;write data
             bclr    SER_OUT,PORTA
             bclr    CS,PORTA      ;CS line is low
             jsr     J9356_WAIT     ;wait until EEPROM is ready
             rts

```

```

***      READ - subroutine to read EEPROM *****
J9356_READ   lda      #$C0          ;load opcode
             sta      OPCODE
             bset     CS,PORTA      ;CS line is high
             jsr     J9356_WR_OP    ;write opcode
             jsr     J9356_WR_ADDR  ;write address
             bset     SER_CLK,PORTA ;clock the EE
             bclr    SER_CLK,PORTA
             jsr     J9356_RD_DATA  ;read data
             bclr    SER_OUT,PORTA
             bclr    CS,PORTA      ;CS line is low
             rts

```

```

***      ERASE - subroutine to erase EEPROM *****
J9356_ERASE  lda      #$E0          ;load opcode
             sta      OPCODE
             bset     CS,PORTA      ;CS line is high
             jsr     J9356_WR_OP    ;write opcode
             jsr     J9356_WR_ADDR  ;write address
             bclr    CS,PORTA      ;CS line is low
             jsr     J9356_WAIT     ;wait until EEPROM is ready
             rts

```

```

***      ERAL - subroutine to erase all EEPROM *****
J9356_ERAL   lda      #$80          ;load opcode and addr
             sta      OPCODE
             sta      ADDR
             bset     CS,PORTA      ;CS line is high
             jsr     J9356_WR_OP    ;write opcode
             jsr     J9356_WR_ADDR  ;write address
             bclr    CS,PORTA      ;CS line is low
             jsr     J9356_WAIT     ;wait until EEPROM is ready
             rts

```

```

*****
*
*           EEPROM Supporting SubRoutines
*
* These subroutines support the functions called from the Command subs
*
*****

*** Subroutine to write 3 bit opcode *****
J9356_WR_OP   ldx     #3T           ;init counter for LOOP1

*           Write to the serial output pin
J9356_LOOP1  brclr   7,OPCODE,J9356_L1_2 ;if opcode bit7 = 0, goto L1_2
              bset    SER_OUT,PORTA    ;ser_out = 1
              bra     J9356_L1_3       ;goto L1_3
J9356_L1_2   bclr    SER_OUT,PORTA    ;ser_out = 0

*           Clock the serial clock pin
J9356_L1_3   bset    SER_CLK,PORTA    ;ser_clk = 1
              bclr    SER_CLK,PORTA    ;ser_clk = 0
              asl     OPCODE           ;rotate the opcode
              decx    ;decrease counter loop
              bne     J9356_LOOP1      ;is LOOP1 finished?
              clra
              sta     COPR             ;kick the wdog
              rts

*** Subroutine to write 8 bit address *****
J9356_WR_ADDR ldx     #8T           ;init counter for LOOP2

*           Write to the serial output pin
J9356_LOOP2  brclr   7,ADDR,J9356_L2_2 ;if addr bit7 = 0, goto L2_2
              bset    SER_OUT,PORTA    ;ser_out = 1
              bra     J9356_L2_3       ;goto L2_3
J9356_L2_2   bclr    SER_OUT,PORTA    ;ser_out = 0

*           Clock the serial clock pin
J9356_L2_3   bset    SER_CLK,PORTA    ;ser_clk = 1
              bclr    SER_CLK,PORTA    ;ser_clk = 0
              asl     ADDR             ;rotate the addr
              decx    ;decrease counter loop
              bne     J9356_LOOP2      ;is LOOP2 finished?
              rts

```



```

*** Subroutine to write 16 bit data *****
J9356_WR_DATA  ldx      #16T          ;init counter for LOOP4

*          Write the serial output pin with data
J9356_LOOP4   brclr    7,DATA_H,J9356_L4_2  ;if addr bit7 = 0, goto L4_2
              bset     SER_OUT,PORTA      ;ser_out = 1
              bra     J9356_L4_3          ;goto L4_3
J9356_L4_2    bclr     SER_OUT,PORTA      ;ser_out = 0

*          Clock the serial clock pin
J9356_L4_3    bset     SER_CLK,PORTA      ;ser_clk = 1
              bclr    SER_CLK,PORTA      ;ser_clk = 0
              asl     DATA_L            ;rotate the DATA_L
              rol     DATA_H            ;rotate the DATA_H
              decx   ;decrease counter loop
              bne    J9356_LOOP4        ;is LOOP4 finished?
              rts     ;return

*** Subroutine to read 16 bit data *****
J9356_RD_DATA  ldx      #16T          ;init counter for LOOP3

*          Read the serial input pin
J9356_LOOP3   brclr    SER_IN,PORTA,J9356_L3 ;carry bit = serial in
J9356_L3      rol     DATA_L            ;rotate left result
              rol     DATA_H

*          Clock the serial clock pin
              bset     SER_CLK,PORTA      ;ser_clk = 1
              bclr    SER_CLK,PORTA      ;ser_clk = 0
              decx   ;decrease counter loop
              bne    J9356_LOOP3        ;is LOOP3 finished?
              rts     ;return

*          Wait until write cycle is over
J9356_WAIT    bset     CS,PORTA          ;CS line is high
J9356_W2      clra
              sta     COPR              ;kick the wdog
              brclr   SER_IN,PORTA,J9356_W2
              bclr    CS,PORTA          ;CS line is low
              rts     ;return


```

```
*****
*
*      Interrupt and Reset vectors for Main Routine
*
*****
```

```
org    RESET
fdb    J9356_START
```

NOTES

NOTES

Motorola reserves the right to make changes without further notice to any products herein. Motorola makes no warranty, representation or guarantee regarding the suitability of its products for any particular purpose, nor does Motorola assume any liability arising out of the application or use of any product or circuit, and specifically disclaims any and all liability, including without limitation consequential or incidental damages. "Typical" parameters can and do vary in different applications. All operating parameters, including "Typicals" must be validated for each customer application by customer's technical experts. Motorola does not convey any license under its patent rights nor the rights of others. Motorola products are not designed, intended, or authorized for use as components in systems intended for surgical implant into the body, or other applications intended to support or sustain life, or for any other application in which the failure of the Motorola product could create a situation where personal injury or death may occur. Should Buyer purchase or use Motorola products for any such unintended or unauthorized application, Buyer shall indemnify and hold Motorola and its officers, employees, subsidiaries, affiliates, and distributors harmless against all claims, costs, damages, and expenses, and reasonable attorney fees arising out of, directly or indirectly, any claim of personal injury or death associated with such unintended or unauthorized use, even if such claim alleges that Motorola was negligent regarding the design or manufacture of the part. Motorola and  are registered trademarks of Motorola, Inc. Motorola, Inc. is an Equal Opportunity/Affirmative Action Employer.

Literature Distribution Centers:

USA: Motorola Literature Distribution; P.O. Box 20912; Phoenix, Arizona 85036.

EUROPE: Motorola Ltd.; European Literature Centre; 88 Tanners Drive, Blakelands, Milton Keynes, MK14 5BP, England.

JAPAN: Nippon Motorola Ltd.; 4-32-1, Nishi-Gotanda, Shinagawa-ku, Tokyo 141 Japan.

ASIA-PACIFIC: Motorola Semiconductors H.K. Ltd.; Silicon Harbour Center, No.2 Dai King Street, Tai Po Industrial Estate,
Tai Po, N.T., Hong Kong.



MOTOROLA

AN1241/D

